

## Delta T Systems Eco Series Temperature Control Unit

### Standard Unit - Technical Specifications

#### DOE 2020 Efficiency Compliant Pumps

This new pump design is compliant with the DOE Energy Conservation Standards. These pumps produce higher outputs measured in flow and pressure compared to the existing design. In addition, the energy consumption is significantly reduced.

#### Heating and Cooling

The standard 2 tank design allows for a maximum of 24KW heating in this compact cabinetry. Alternatively, the second tank could be used for a water to water heat exchanger for indirect cooling.

#### Low Maintenance combined with High Reliability

The unit also has the following safety features built in: a bi-metal switch that protects the heater from overheating, circuit protection for the motor, high temperature pump seal and a dry run protection for the heater.

#### Other Design Improvements and Material Considerations

A judicious set of design improvements and material selections makes the new generation of temperature control units less susceptible to traditional maintenance problems, and easier to maintain.

- Industrial strength frame and cabinetry
- Lift off panels on the side for easy access
- IEC compliant components
- Compact heater design which allows for higher capacity on a smaller footprint





# DELTA T SYSTEMS

The True Measure of Temperature Control

## Standard Equipment Features

- 9, 12, 18 or 24KW Heater
- 250°F (121°C) Fluid Operating Temperature
- Microprocessor-Based PID Controller
- Motor Overload Protection
- Over Temperature Protection
- Low Water Pressure Protection
- High Pressure Safety Relief Valve Protection
- Liquid-Filled Delivery and Return Pressure Gauges
- Fused Transformer
- Grounded Circuit Control
- Pilot Lights indicating Separate Functions of Use
- Rugged, Heavy Gauge Sheet Metal Cabinet
- 3" Industrial-Grade Casters, swivel and lockable
- Ease of Service Design
- NEMA 1 Electrical Specifications & Wiring in Conformance with NEC Electrical Codes
- Automatic Venting

## Optional Features

- Operating Temperature up to 300°F (149°C)
- 50 and 60 Hz
- 208, 230 and 460V
- Remote Start/Stop
- Remote Sensor input
- Water to Water Heat Exchanger for indirect cooling
- Stacked Units
- NFPA 79 electrical safety standards
- NEMA Classifications: 3, 4, 4X, 7 and 12 rated enclosures
- Customer-Preferred Controllers
- Audible or Visual Alarms
- Larger Solenoid Valves
- Electrical Main Disconnect
- Solid State Heating Contactor
- Multiple Zones in a Cabinet or Open Frame



# DELTA T SYSTEMS

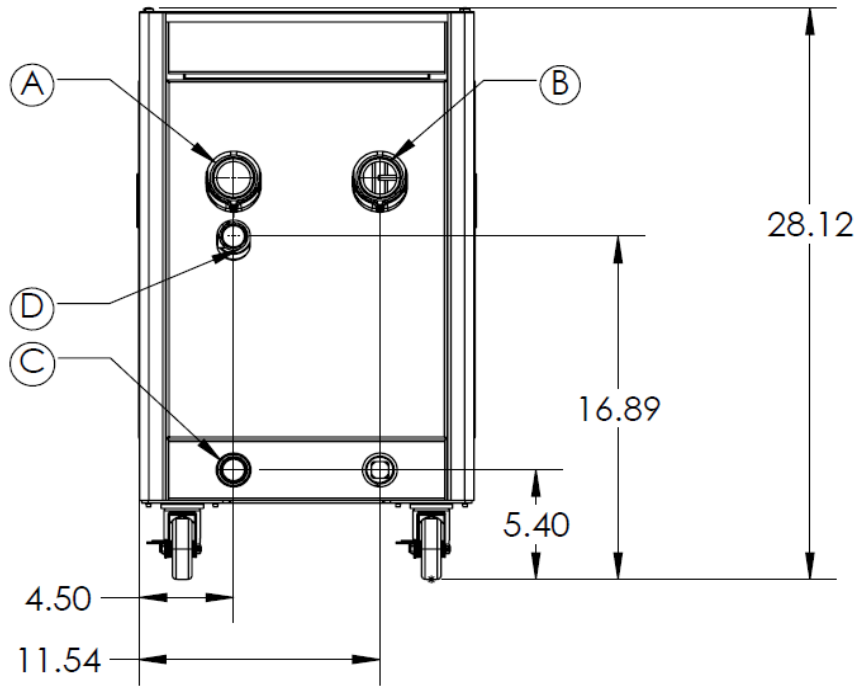
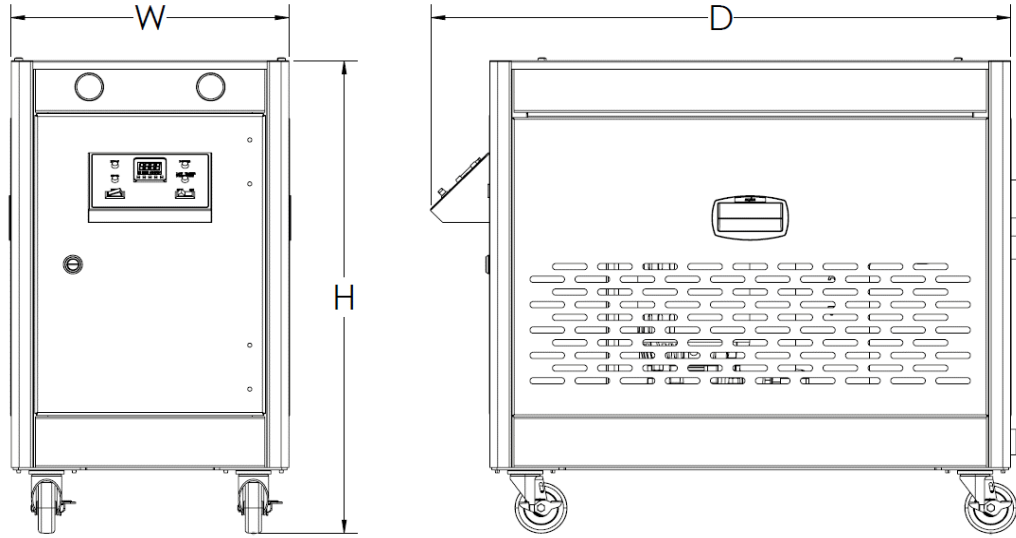
The True Measure of Temperature Control

Model	Heating Capacity (KW)	Pump Size (HP)	Minimum Circuit Ampacity			Dimensions (in)			Shipping Weight (lbs)
			460V	230V	208V	Height	Width	Depth	
ESW-09C	9	3/4	15.8	31.5	35.5	28.0	16.0	33.4	264
ESW-12C	12	3/4	20.3	40.5	51.1	28.0	16.0	33.4	265
ESW-18C	18	3/4	29.3	58.5	66.8	28.0	16.0	33.4	273
ESW-24C	24	3/4	38.3	76.5	-	28.0	16.0	33.4	275
ESW-09D	9	1	16.3	32.5	36.9	28.0	16.0	33.4	267
ESW-12D	12	1	20.8	41.5	52.5	28.0	16.0	33.4	268
ESW-18D	18	1	29.8	59.5	68.1	28.0	16.0	33.4	276
ESW-24D	24	1	38.8	77.5	-	28.0	16.0	33.4	278
ESW-09E	9	1-1/2	17.1	34.3	38.6	28.0	16.0	33.4	268
ESW-12E	12	1-1/2	21.6	43.3	54.3	28.0	16.0	33.4	269
ESW-18E	18	1-1/2	30.6	61.3	69.9	28.0	16.0	33.4	277
ESW-24E	24	1-1/2	39.6	79.3	-	28.0	16.0	33.4	279
ESW-09F	9	2	18.0	36.0	40.5	28.0	16.0	33.4	269
ESW-12F	12	2	22.5	45.0	56.1	28.0	16.0	33.4	270
ESW-18F	18	2	31.5	63.0	71.8	28.0	16.0	33.4	278
ESW-24F	24	2	40.5	81.0	-	28.0	16.0	33.4	280
ESW-09G	9	3	19.1	38.3	43.1	28.0	16.0	33.4	279
ESW-12G	12	3	23.6	47.3	58.8	28.0	16.0	33.4	280
ESW-18G	18	3	32.6	65.3	74.4	28.0	16.0	33.4	288
ESW-24G	24	3	41.6	83.3	-	28.0	16.0	33.4	290



# DELTA T SYSTEMS

The True Measure of Temperature Control



FROM PROCESS (A):	1-1/2	IN	WATER SUPPLY (C):	3/4	IN
TO PROCESS (B):	1-1/2	IN	DRAIN (D):	1/2 TO 1	IN